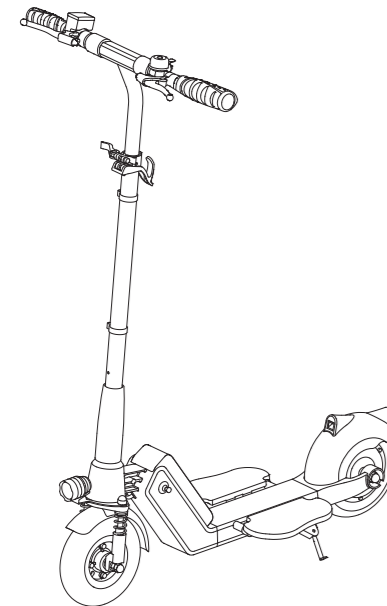
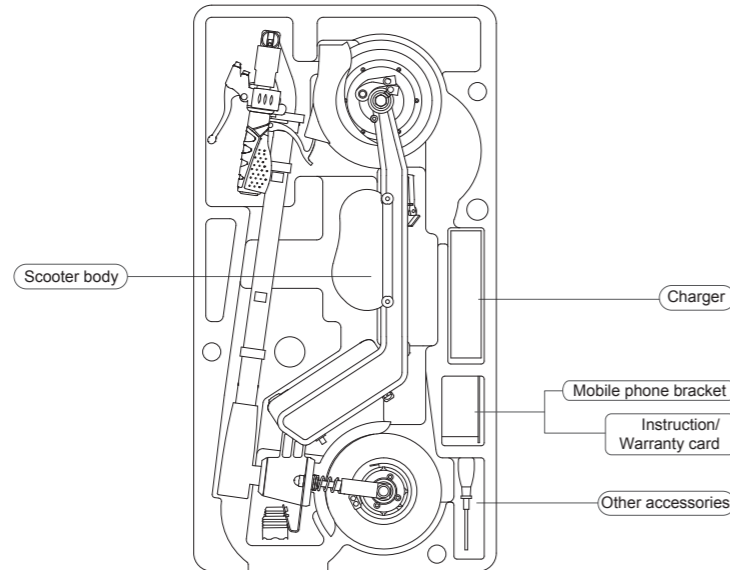


Airwheel Z5

USER MANUAL



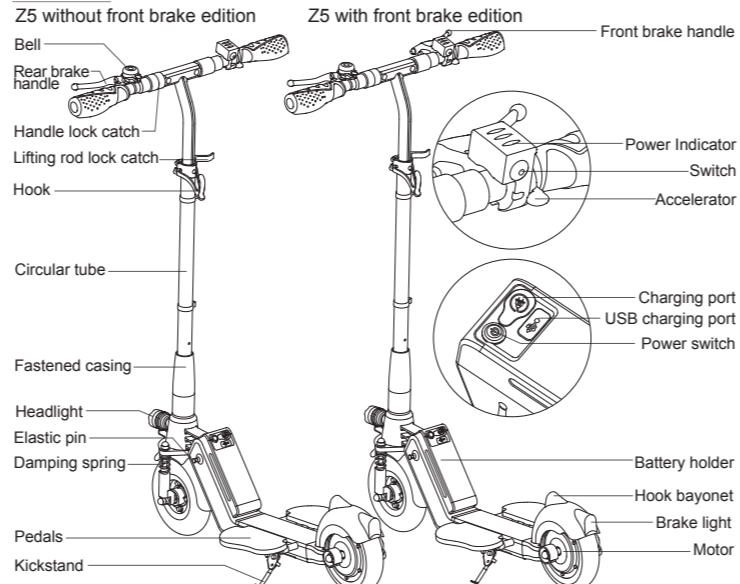
Check Packing Contents



Packing list

Item	Quantity	Description	Unit
Scooter body	1 pcs	Other accessories	1 unit
Charger	1 pcs	Instruction/Warranty card	1 unit
Mobile phone bracket	1 pcs		

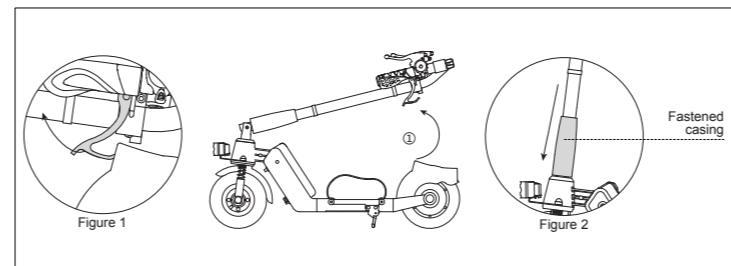
Diagram



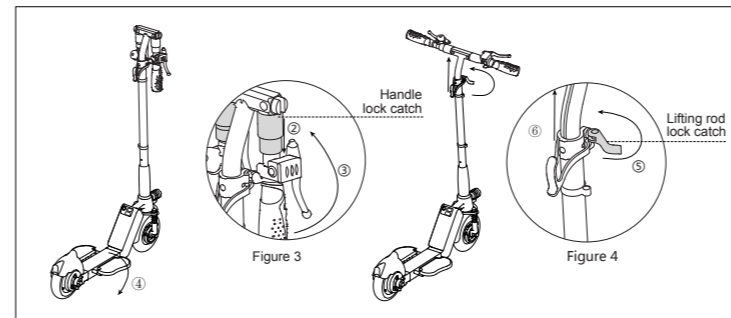
Specifications

Size	840mm × 556mm × 1100mm	Item weight	~13.15kg
Folding size	850mm × 195mm × 390mm	Maximum load	100kg
Tire size	8inch	Max speed	~20km/h
Charging voltage	AC220V 50-60Hz	Maximum Permissible Gradient	~15°
Charging time	162.8Wh: 120min	Applicable temperature	-10°C~40°C
USB output voltage	5V	USB maximum current output	1.5A

Use the Scooter



1 Unfold the arm-brace, put Z5 flat on the ground and hold the hook with hands (see Figure 1), separate the hook from the hook bayonet (see ① arrow). Push forward the scooter head vertically, the fastened casing will drop down automatically to fasten the circular tube (see Figure 2).

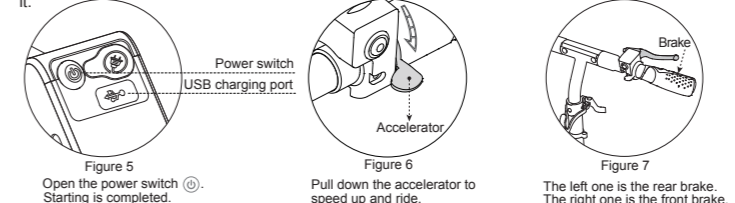


2 Pull down the lock catch on the handles (see Figure 3 - ② arrow), unfold the two handles (see Figure 3 - ③ arrow), and fasten the handle with lock catch, and then release the pedals (see ④ arrow).

3 Adjusting the scooter heights: open the lifting rod lock (see Figure 4-⑤ arrow), adjust the height in the arrow direction (see Figure 4-⑥ arrow). After adjustment is finished, close the lifting rod lock.

Get Started

Set the Z5's head right, fold the arm-brace, and adjust the frame and handle to ensure a comfortable riding experience. On top of the battery housing, find switching power and open, then hold the handle, step on the pedal one foot by one foot, right down to move accelerator to accelerate, and riders can ride it.

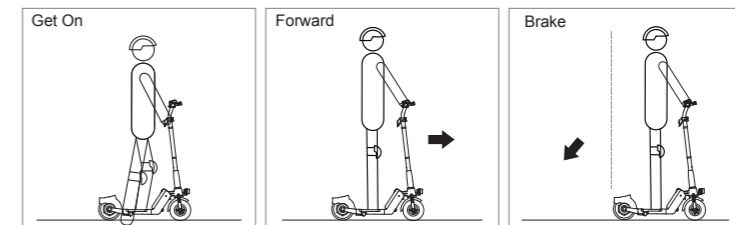


Open the power switch (Ⓞ). Starting is completed.

Pull down the accelerator to speed up and ride.

The left one is the rear brake. The right one is the front brake.

Learn To Steer

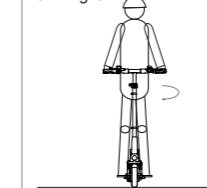


Turn the power on (see Figure 5) and step on the pedal one foot by one foot.

Right down to move the accelerator (see Figure 6).

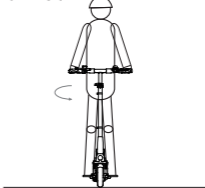
Hold the break handle gently (see Figure 7).

Turn Right



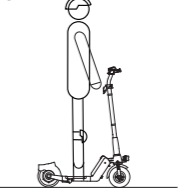
Turn the Scooter head to the right

Turn Left



Turn the Scooter head to the left

Get Off



Get off from the pedal one foot by one foot

Learning Skill

Riding steps for beginners

- Hold Z5 with hands and open power switch.
- One foot steps on the pedal, keep eyes front. The other feet thrusts against the ground to have an initial speed, right down to move the accelerator to accelerate.
- When there is a need to decelerate or stop, put the finger on the brake handle, hold the brake handle with strength until it decelerates or stops.
- When brake starts, the accelerator on the right handle automatically powers off.

- The moisture will lead to slower reaction brake. After cleaning Z5 scooter, it is better to find a safe place to dry the brake.
- Avoid using this product in bad weather conditions (e.g., rain, snow, or ice).
- Please confirm whether the brake can be used normally when riders want to use it.

Safety

Please read notices carefully and follow riding requirements during the Z5 ride.

Important Note:

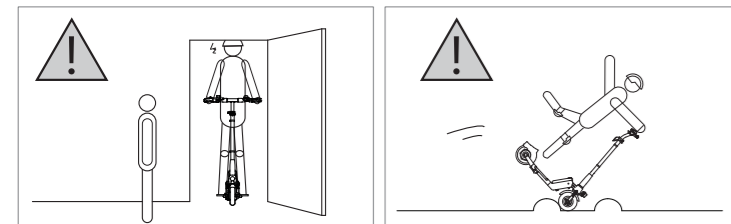
Sharp acceleration, deceleration, sudden turning and over speeding via overly leaning forward or backward are strictly forbidden. It is not suggested ride when power level indicators show only one bar left. If in riding, please keep constantly slow speed. If there is a risk of falling, please protect personal safety first, regardless of Z5. During the riding process or storage, wear and tear may affect its performance. Before you ride Z5, please check the following matters:

- Rider needs to check whether the Z5 scooter is installed firmly, and is damaged or not.
- Rider needs to check the brake function and tyres, and to check whether the handle is fastened. If not, please tighten the screws.
- Rider needs to check whether folding mechanism has been locked.
- Rider needs to find an open space to practice, at least 4m*20m area, indoor and outdoor.
- Rider needs to have a full understanding of the surrounding environment to avoid the interference from the vehicle, pedestrians, pets, bicycles and other obstacles.
- Rider needs a skilled assistant at side. The assistant is proficient in riding Z5 and familiar with the guidelines for the use of scooters in all matters needing attention and riding method.

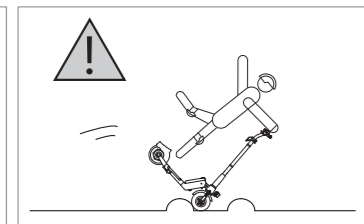
Attention:

- Do wear helmet, gloves, elbow/knee pads or other necessary protection gears.
- Do not ride on the bumpy and wet roads, such as earth road, cobbled road or snowing and watery roads.
- Do not ride Airwheel on slopes of over 15° gradient.
- Do not allow children under 15 or the aged above 60 to ride Airwheel.
- Drunk or drug riding Airwheel is prohibited.
- Do not ride Airwheel in extremely cold winter.
- Do not ride Airwheel in the rain.
- Please slow down on the upper and lower slopes.
- Do not ride Airwheel in other unadvised situations causing by either personal or objective reasons. You need lots of practice to grasp the skill before you ride the scooter safely. If you are not skilled, or fail to follow the user guide of this product, it may cause rider or others injury or property loss. Our company only takes the responsibility for product defects or damage, and we are NOT responsible for physical injury or property loss related with using products.

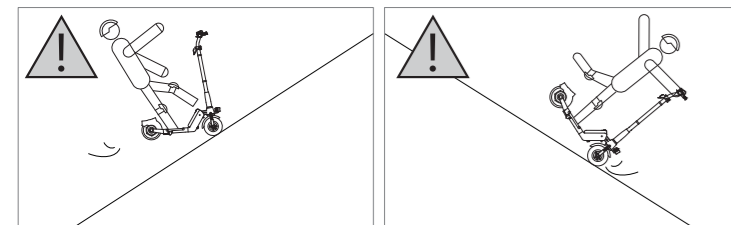
Don'ts



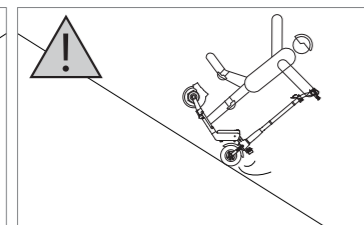
Entrance Height



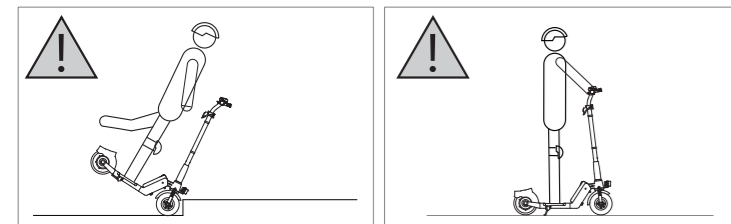
Bumpy Terrains



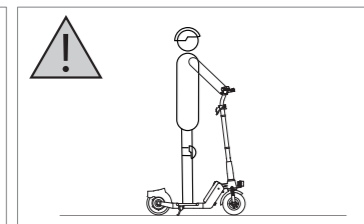
Slope Angle > 15°



Slope Angle > 15°/Do not use front brake when riding on slopes or riding in a high speed.

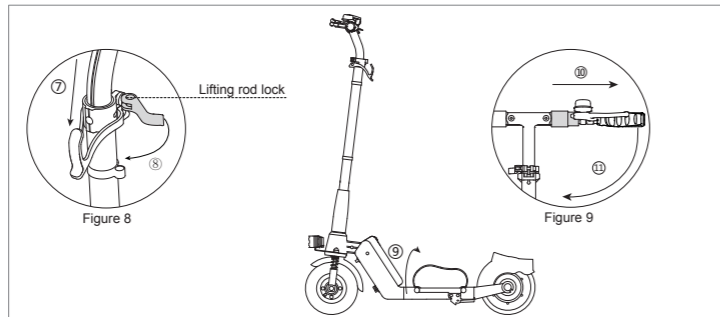


Staircases

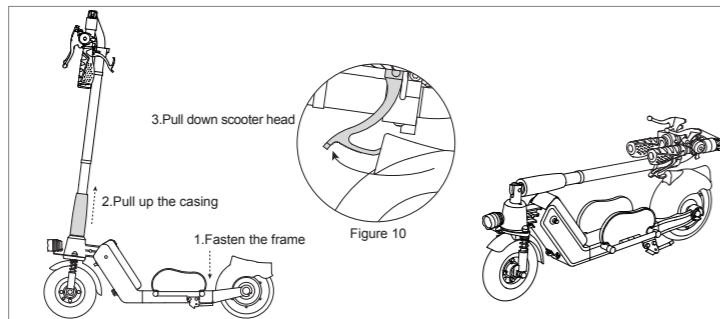


Do not remain on the standing board after shutdown.

Foldable



1. Open lifting rod lock, pull down the scooter head (see Figure 8-⑦ arrow), and close lifting rod lock (see Figure 8-⑧ arrow), fold pedals (see ⑨ arrow). Pull the lock catches on both handles (see Figure 9-⑩ arrow), and meanwhile pull down and fold handles (see Figure 9-⑪ arrow). Loosen the handle lock to fold it.



2. Fasten the frame, pull up the casing and pull down scooter head. When the hook arrives at bayonet, lock the hook in the bayonet to finish the folding (see Figure 10).

Download APP



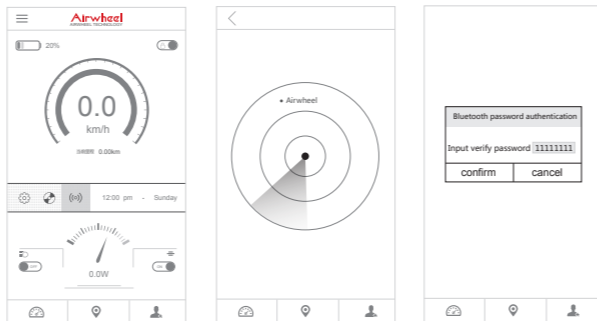
Scan two-dimensional code download

*Support Android 4.3 or higher, iOS 7.0 or higher.

APP Instructions

1. Turn on Z5 power button, and start App as well as Bluetooth.
2. Do as the follows to connect (verify password is 11111111).
3. Refer to official website or give calls for details.

Version 1



Click App's wireless connection icon > Click Airwheel to connect. > Input the verify password: 11111111 to connect.

Version 2



Click the search button. > Find Airwheel, click the searched Airwheel model to connect. > Input the verify password: 11111111 to connect.

Other Functional Instructions

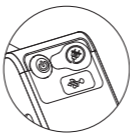
- Headlight (one key to light): connect the headlight plug into USB charging port in riding.



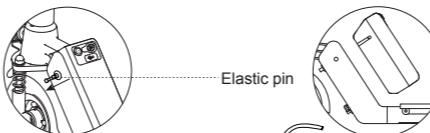
- Power indicator: when it is red, riding is not suggested.



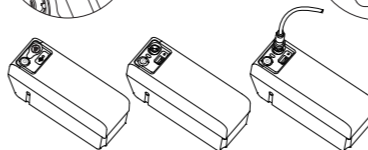
- Charging port: chargeable (compatible with mainstream phones and electronics)



- Replaceable battery holder: pull the elastic pin as the picture and take out the battery holder for convenient charging.



Open the cover of the charging port, connect plug and charge.



Warranty

Please properly keep the warranty card and purchase invoices as after-sales credential. Z5 will provide the following after-sales services providing not damaged by the user.

After-sales Service

1. The electric scooter will be guaranteed for one year, except the batteries and consumable items.
2. We can maintain the battery and charger for half year; since tires belong to consumable material one month is provided for maintenance.

Following circumstances are not included in the free repairing scope. Malfunction is caused by users who are not in accordance with the provisions of the operation instruction handbook to use, maintain and adjust. Damage and failure is caused by users' self-refit, self-repair and without compliance with application regulations.

Failure is caused by user improper safekeeping or accidents. There is no warranty card and invoice or discrepancy between the vehicle and the card. The appearance damage after using does not belong to the warranty scope. Self-demolition piece used is excluded form Operation Manual. Damage is caused by long time riding in the rain and soaking in water.

QUALIFICATION CERTIFICATE

Doc. No. : V2.3

Record of extended warranty

Part Name	Start Date of Extended Warranty	Extended Period

Please refer to the mars rover official website for latest info update.

User Info

Name: _____ Tel: _____ Email: _____

Address: _____

Product Info

Model: _____ Service Center: _____

Repair Date: _____

Repair Details: _____

Cause of Malfunction: _____

SN: _____

Signature of the Repairman: _____

Seal of the Service Center

After-sales info

Please visit our official website for the address of the service center and other related info.

Authorized by: Airwheel Technology Holding (USA) Co.,Ltd.
Manufactured/Dealed by: Changzhou Airwheel Technology Co., Ltd.
Address: Fl.9 Zhongchuang Building, No.396 Tongjiang Rd (M), Xinbei District, Changzhou, Jiangsu.

Website: www.airwheel.net

E-mail: after-sale@airwheel.net



www.airwheel.net

Data is only for reference. Be subject to the real object.